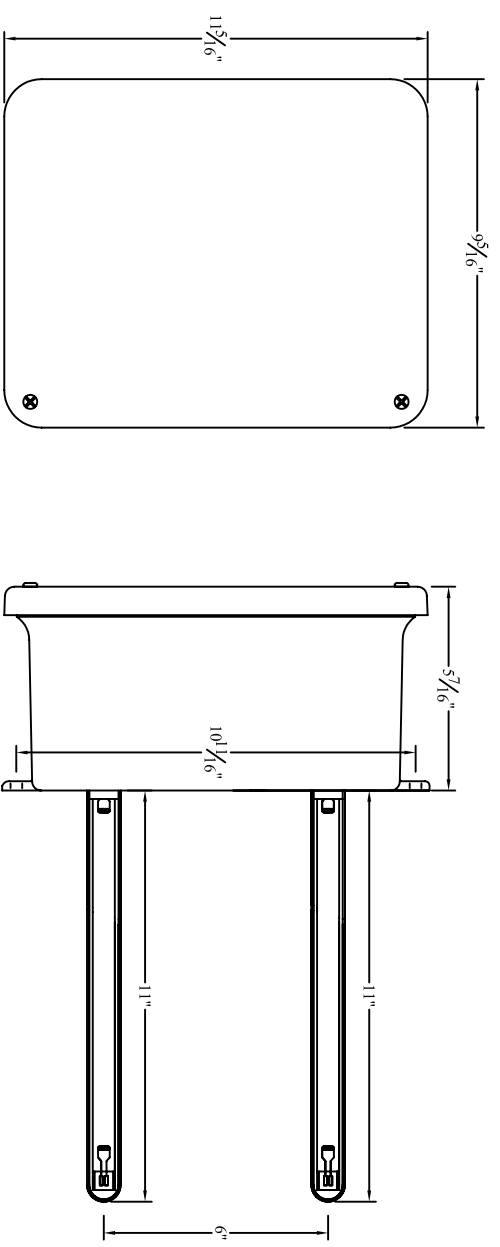
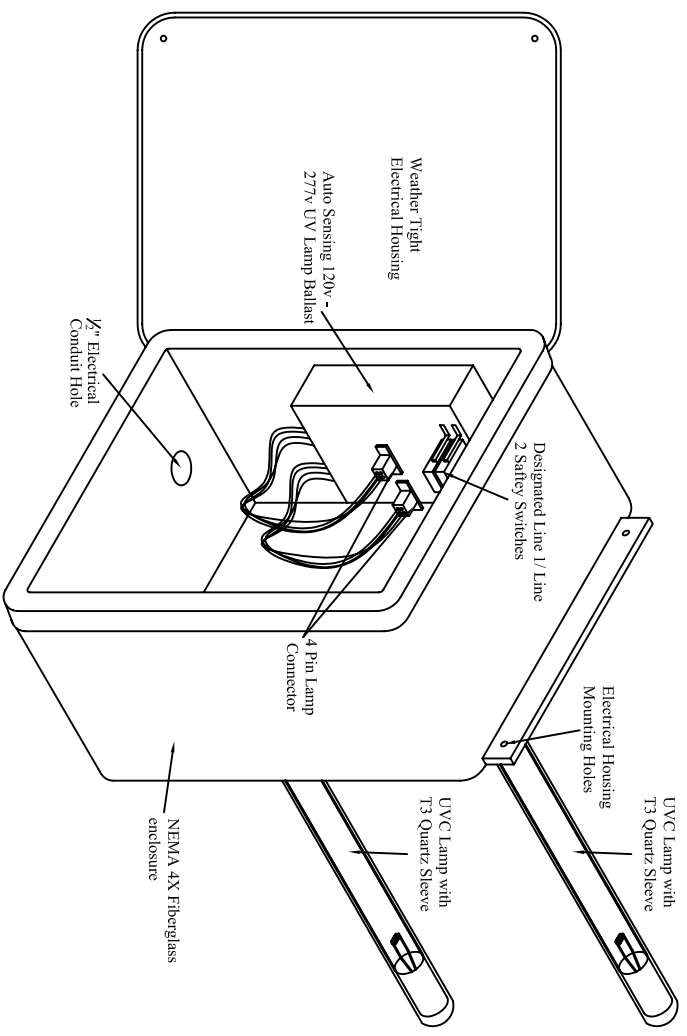


Specifications

Electrical Housing: NEMA 4X water tight enclosure
Power Consumption: 32A @ 120 VAC
Auto Sensing 120v - 277 VAC 50/60 Hz.
Lamps: 2 - 12" Lamp w/ T3 Quartz



Ultravation, Inc.

212 Ideal Way.
 Poulinney Vermont 05764.
 Ph: 802-287-9735
 Fx: 802-287-9203
 www.Ultravation.com

Part #: UVMMatrix 4X-212 | Drawing #: DC-11-3245 | Rev: *

Description: Outdoor UV System with 2 - 12" lamp wrapped in out T3 Quartz 120-277 VAC

Date: 10/25/07 | Scale: | Creator: JSM